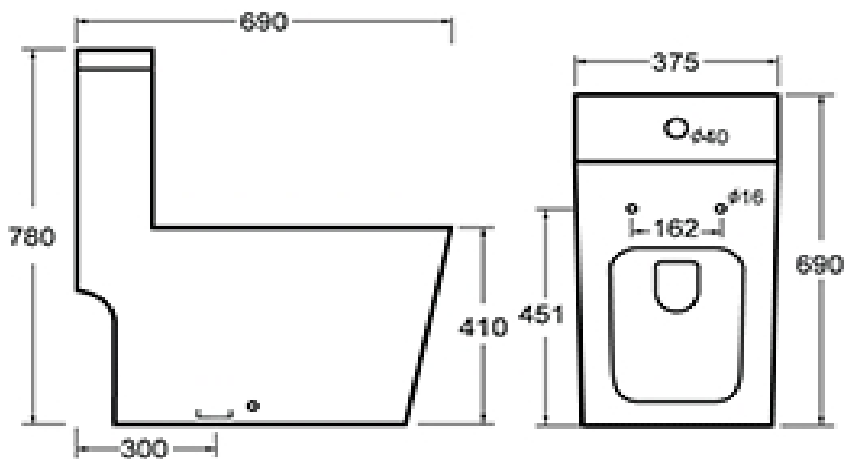


KAYANGAN (1050)



{tab=Descriptions} **One-piece syphonic WC suite**

Roughing-in distance : S-trap : 300mm
6/3 litres dual flush
Soft close seat and cover only
690mm (L) x 375mm (W) x 780mm (H)

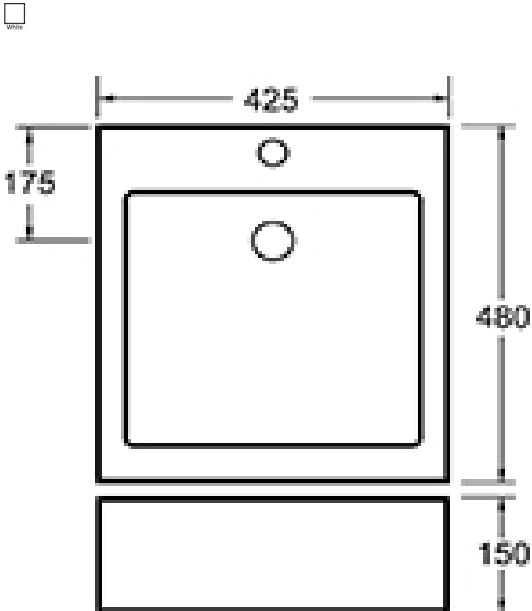


SICILY (C23)



{tab=Descriptions} **Square counter top basin**

Semi-punch 3 tap holes
425mm (L) x 480mm (W) x 150mm (H)



GREENIER (C24)



325-Dr (4) 375mm (14.8") x 425mm (16.7") recessed basin

